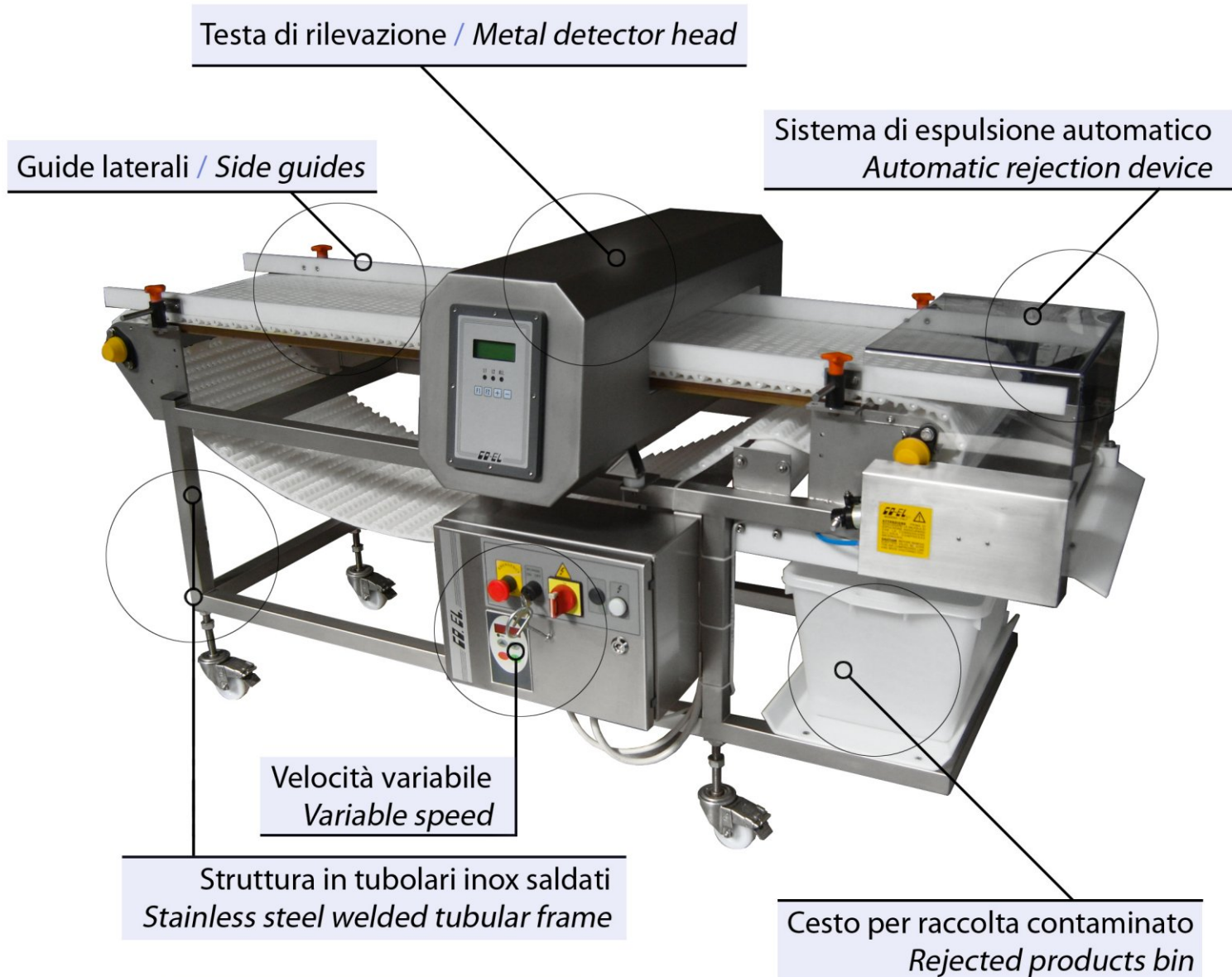
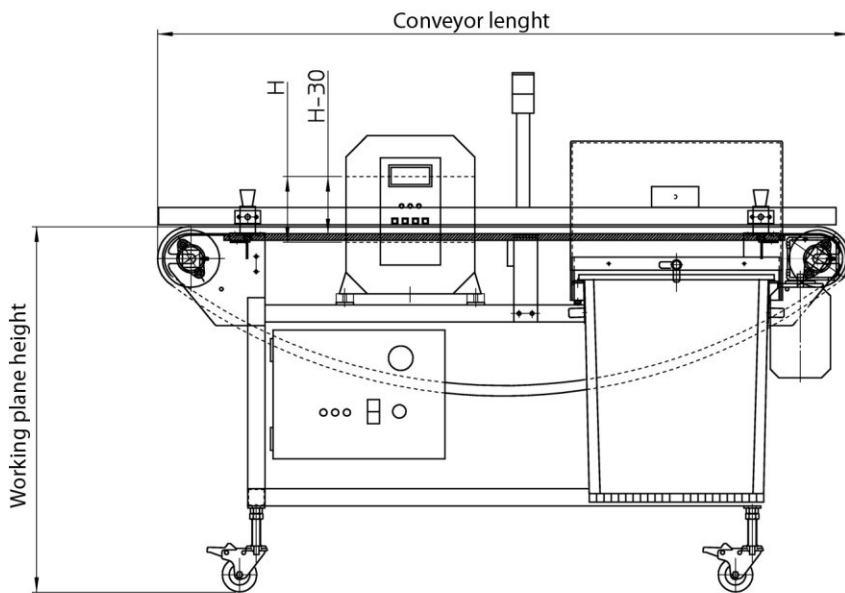


MODULAR BELT SYSTEM



Avvisatore sonoro e luminoso / *Optical and acoustic alarm*





CONVEYOR LENGTH:

650 - 4000mm

WORKING PLANE HEIGHT:

500-1500mm

BELT WIDTH:

L-50mm

STANDARD FEATURES:

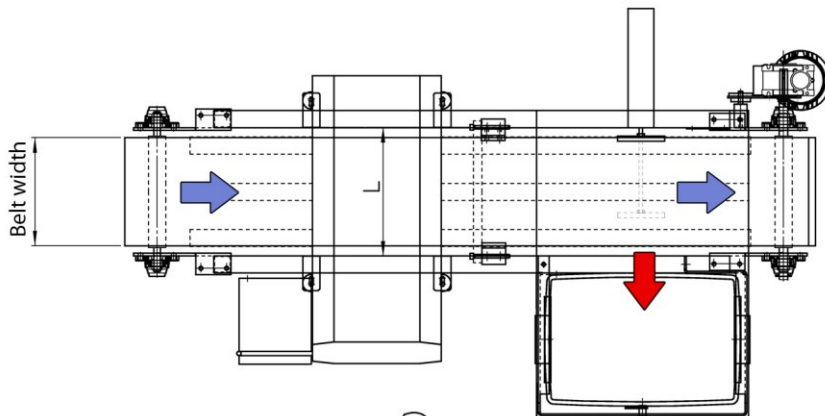
- AISI304 or AISI316 construction
- IP65 protection
- Easy cleaning
- Easy belt change
- Belt stop on detection
- Quality control periodical tests

OPTIONALS:

- Steering blockable wheels
- Ejection devices for any application

QUALITY CONTROL:

- Test request signalators
- MetalRemote** PC software for report printing (quality standards tracking)



REJECTION SYSTEMS:

